

102 Northpoint Parkway
Building 106
Acworth, GA 30102
(800)272-4482

Florida Product Approval # 23225.4

24 GA. Steel Flush Panel

NON-HVHZ

Compliant with Florida Building Code 20 23 (8th ed.)

Compliant with Florida Product Approval Rule # 61G20-3

Quality Assurance Compliant

Product: 24GA Steel Flush Roof Panel FBC Sec. 1507.4.2

Yield strength: 40ksi min

Attached to Min. 16GA metal purlins – support member or equivalent substrate secured.

Corrosion Resistant Compliant: FBC Sec. 1507.4.3

Anchor:

Panel to Metal Purlin: #10 x 5/8" Self-Drilling Pancake Screw @ 12" O.C. fastening one 24GA SS clip at each purlin

Analysis by a Florida licensed professional, with consideration of local conditions, wind zones, and structural substrate support should determine the proper fastener attachment.

Span spacing: 12", 18", 24", 30", 36", 42", 48", see load table attached from Intertek Testing Laboratory test report.

Panel and Material Flush Panel

X 24GA Steel Panel w/ 24GA SS clips

Support Spc./Load(psf)

1' / -95 psf

4' / -25 psf

Allowable Uplift Loads Margin of Safety 2:1

Support Spc./Load(psf)

1' / -115 psf

4' / -30 psf

Allowable Uplift Loads Margin of Safety 1.65:1

TEST REFERENCES:

Intertek Test No. I5091.01-450-44 R0 ASTM E330-14

Limitations:

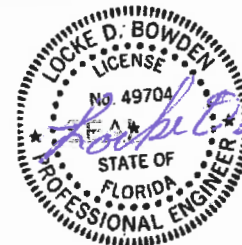
- Underlayment to be compliance with current Florida Building Code (FBC)2023 8th ed.. see Chart 1507.1.1. Minimum slope to be compliant with Florida Building Code 2023 8th ed., and per with Manufacturer's Installation reference. Products are compliant with State of Florida product approval per Rule 61G20-3. Compliance Method: 1-D
- Engineering analysis for "project specific approval by local authorities w/jurisdiction is allowed by other registered engineers. Fire classification is not part of this acceptance. Shear diaphragm values are outside this report.
- Support framing in compliance w/FBC 2023 8th ed., Chapter 22 Steel, Chapter 23 Wood and Chapter 16 Structural Loading.

This report does not imply warranty, installation, recommended product use outside of this report.

Certificate of Independence:

Locke Bowden, P.E. does not have, nor will acquire a financial interest in any company manufacturing or distributing products under this evaluation.

Locke Bowden, P.E. is not owned, operated, or controlled by any company, manufacturer, or distributing report.





Total Quality. Assured.

2658 Electronics Way
West Palm Beach, Florida 33407

Telephone: 561-881-0020
Facsimile: 717-764-4129
www.intertek.com/building

TEST REPORT FOR PETERSEN ALUMINUM CORPORATION

Report No.: IS091.01-450-44-R0

Date: 07/27/18

**SECTION 8
LOAD TABLE**

Load Table: 24 Ga Steel Flush Panel

Span, L	Span, L	Test Result	Allowable Design Pressure with Safety Factor of 1.65	Allowable Design Pressure with Safety Factor of 2.00
1'-0"	12"	190 psf	115 psf	95 psf
1'-6"	18"		101 psf	83 psf
2'-0"	24"		87 psf	72 psf
2'-6"	30"		73 psf	60 psf
3'-0"	36"		59 psf	48 psf
3'-6"	42"		44 psf	37 psf
4'-0"	48"	50 psf	30 psf	25 psf

General Notes:

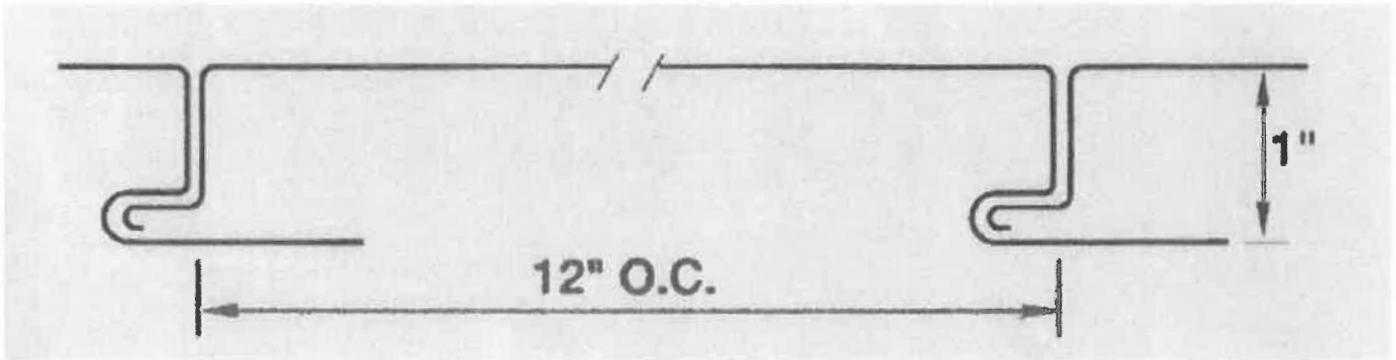
Tested in general accordance with ASTM E 330-14, Procedure B, as negative loads (away from surface).

Intermediate values based on linear interpolation from tested values.

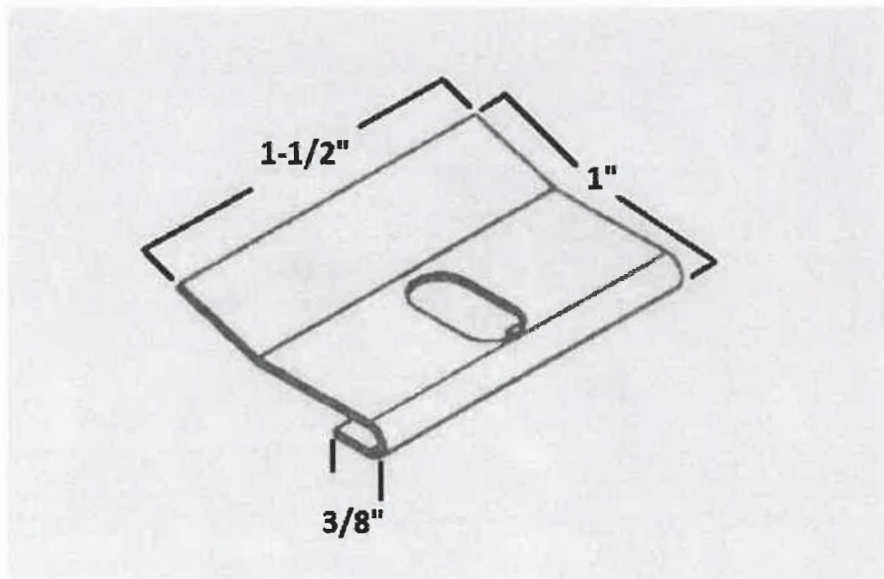
Actual testing was conducted at 1'-0" and 4'-0" purlin spans with concealed clips located at each purlin.

SEAL

Installation Details - 24GA Steel Flush Panel



Flush Wall Panel Profile*



24GA Stainless Steel Clip Detail*

*Details provided by Intertek Building & Construction.
Details shown are for product as tested per Test Report No. I5091.01-450-44-R0.